

NBR

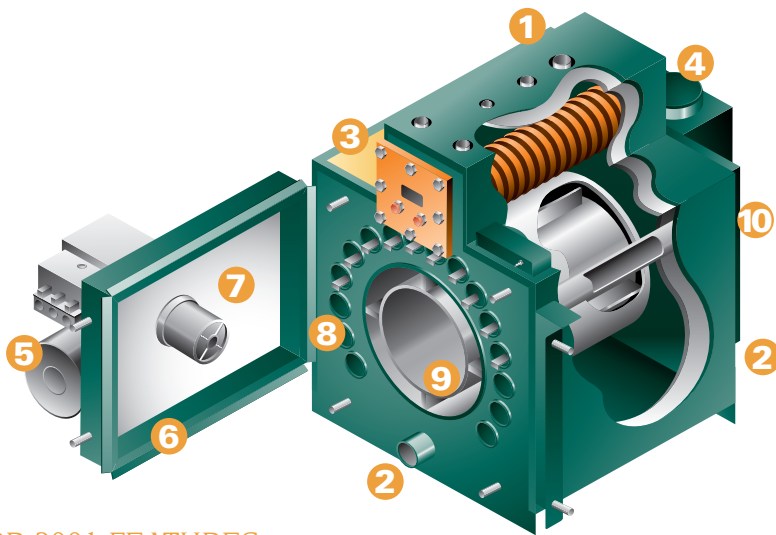


Low Water Shut-Off



NBR 3001 with Riello Burner

NBR 3001 REAR BREECH STEEL BOILER



NBR 3001 FEATURES:

- 1 Top mounted controls for easy viewing
- 2 Front and rear return line location
- 3 Coil section design provides maximum heat transfer to domestic coil with extended coil section for easy service or replacement
- 4 Rear flue with convenient vertical connection
- 5 The latest in high efficiency Riello and Beckett burner technology
- 6 Left or right hinge mounted boiler access door
- 7 Open glass inspection port
- 8 Sixteen 2" horizontal tubes for high efficiency and easy maintenance
- 9 Stainless steel 12 ga combustion chamber
- 10 Reduced clearances to rear combustibles
- 11 Wet base/wet back design
- 12 AFUE 81-86%
- 13 Internal mixing baffle on return line for optimum boiler water temperature
- 14 Safety shut off switch on boiler access door
- 15 Rated output of 179,000 to 300,000 btu/h

Newmac also manufactures a complete line of oil fired forced air furnaces for the residential market.

Newmac's solid reputation for quality home heating products includes the models:

- NV3 lowboy rear breech direct vent (SVS) approved, fires 116,000 to 180,000 btu/h
- NMP multi-position front breech direct vent (SVS) approved, fires 77,000 to 117,000 btu/h in upflow or horizontal positions
- LFR highboy front/rear breech direct vent (SVS) approved, fires 62,000 to 90,000 and return air can be mounted either left, right, back or bottom
- NV2 lowboy rear breech direct vent (SVS) approved, fires 77,000 to 118,000 btu/h
- NMR lowboy rear breech fires 77,000 to 118,000 btu/h with a low 35" profile
- NLF lowboy front breech fires 77,000 to 118,000 btu/h
- Models available with either direct or belt drive and with an optional fan control center for AC operation



NEWMAC

FURNACES & BOILERS

BURNERS

Approved with either Beckett or Riello burners with flame retention head for maximum efficiency and minimum maintenance requirements.



40F10

CF 375

Note: Beckett burners have a stainless steel air tube.

NBR 3001 SPECIFICATIONS

| MODEL | RIELLO BURNERS | B.T.U.H. OUTPUT | B.T.U.H. INPUT (USPGH) | AFUE % | NOZZLE | PUMP p.s.i. | INSERTION inches | TURBULATOR SETTING | AIR DAMPER SETTING | DESIGN GROSS STACK F' |
|----------|----------------|-----------------|------------------------|--------|---------------------|-------------|------------------|--------------------|--------------------|-----------------------|
| NBR3-183 | F-10 | 183,000 | 210,494 (1.51) | 85.4 | Delavan 1.25 x 30 B | 145 | 4-1/2" | 1.5 | 1.8 | 375 |
| NBR3-196 | F-10 | 196,000 | 227,222 (1.63) | 85.1 | Delavan 1.35 x 30 B | 145 | 4-1/2" | 2.0 | 1.9 | 400 |
| NBR3-216 | F-10 | 216,000 | 252,314 (1.81) | 84.4 | Delavan 1.50 x 30 B | 145 | 4-1/2" | 2.0 | 2.2 | 430 |
| NBR3-236 | F-10 | 236,000 | 277,406 (1.99) | 83.1 | Delavan 1.65 x 30 B | 145 | 4-1/2" | 2.5 | 2.4 | 460 |
| NBR3-250 | F-10 | 250,000 | 294,134 (2.11) | 82.5 | Delavan 1.75 x 30 B | 145 | 4-1/2" | 2.5 | 2.5 | 470 |
| NBR3-282 | F-10 | 282,000 | 335,954 (2.41) | 81.6 | Delavan 2.00 x 30 B | 145 | 4-1/2" | 3.5 | 2.7 | 520 |
| NBR3-300 | F-10 | 300,000 | 363,834 (2.61) | 80.8 | Delavan 2.25 x 30 B | 135 | 4-1/2" | 4.0 | 3.3 | 575 |

Model Nomenclature: NBR3 denotes NBR-3001

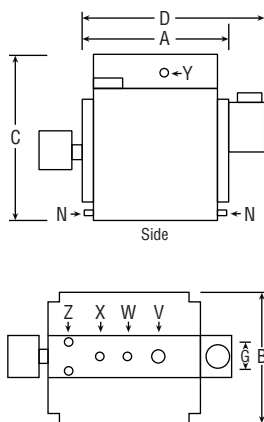
| MODEL | BECKETT BURNERS | B.T.U.H. OUTPUT | B.T.U.H. INPUT (USPGH) | AFUE % | NOZZLE* | PUMP p.s.i. | INSERTION inches | HEAD SETTING | AIR SHUTTER/BAND SETTING | DESIGN GROSS STACK F' |
|----------|-----------------|-----------------|------------------------|--------|------------------|-------------|------------------|--------------|--------------------------|-----------------------|
| NBR3-179 | CF 375 | 179,000 | 206,312 (1.48) | 84.8 | Hago 1.25 x 45 B | 140 | 2" | 1 | 3.5 / 0 | 405 |
| NBR3-199 | CF 375 | 199,000 | 230,010 (1.65) | 84.0 | Hago 1.35 x 45 B | 150 | 2" | 1 | 3.5 / 0 | 435 |
| NBR3-212 | CF 375 | 212,000 | 246,738 (1.77) | 83.1 | Hago 1.50 x 45 B | 140 | 2" | 1 | 5.5 / 0 | 450 |
| NBR3-244 | CF 375 | 244,000 | 288,558 (2.07) | 82.6 | Hago 1.75 x 45 B | 140 | 2" | 1 | 6.0 / 0 | 500 |
| NBR3-276 | CF 375 | 276,000 | 330,378 (2.37) | 81.6 | Hago 2.00 x 45 B | 140 | 2" | 1 | 8.0 / 0 | 550 |
| NBR3-285 | CF 375 | 285,000 | 341,530 (2.45) | 80.8 | Hago 2.00 x 45 B | 150 | 2" | 2 | 7.5 / 0 | 575 |

Model Nomenclature: NBR3 denotes NBR-3001

*Also approved with Danfoss and Delevan nozzles

FOOTPRINT

| Model | | NBR-3001 |
|-------|------------------------------------|----------|
| A | Length | 37" |
| B | Width | 26" |
| C | Height | 36" |
| D | Overall Length including Flue Pipe | 47" |
| G | Flue Pipe Diameter | 7" |
| N | NPT Return/Drain Pipe Tapping | 2" |
| V | NPT Supply Pipe Tapping | 2" |
| W | NPT Aquastat Tapping | 3/4" |
| X | NPT Tridicator Tapping | 1/2" |
| Y | NPT Low Water Cut-Off Tapping | 3/4" |
| Z | NPT Relief Valve Tapping | 3/4" |
| | Volume (US gallons) | 38 |
| | Weight (lbs.) | 600 |



WARRANTY

Newmac offers a 20 year limited warranty on the pressure vessel.

Ask about Newmac's complete line of oil fired forced air furnaces/boilers and combination oil/solid fuel furnaces

Available From:



2210296
Updated June 2005
Printed June 2005

Due to our continuous development and improvement program specifications are subject to change without notice.

Head Office
Marketing / Production
Newmac Mfg. Inc.

Debert Air Industrial Park
Lancaster Crescent
P.O. Box 9, Debert
Nova Scotia, B0M 1G0
Phone: 902-662-3840
Fax: 902-662-2581
Email: newmac@ca.inter.net
Website: NewmacFurnaces.com

Warehouse
Newmac Mfg. Inc.

430 Springbank Ave., South
P.O. Box 545
Woodstock, Ontario
N4S 7Y5
Phone: 519-539-6147
Fax: 519-529-0048

Newmac and its appliances are listed or certified by one or more of the following agencies:



ENERGYGUIDE

Canada

ENERGYGUIDE

Annual Fuel Utilization Efficiency (AFUE)
Oil-fired forced-air furnace

This Model
82.6%

80% ← more energy efficient → 88.7%

